



medemagruppen



NB!

The latest versions of this user manual are available on our website:
www.medema.com.

In special cases, for example, important new safety regulations or other significant messages regarding your vehicle, you will be contacted directly by your supplier.

Medema A/S

Enggårdvej 7
Snebjerg
DK-7400 Herning
Denmark

Phone: 70 10 17 55
Mail: info@medema.com

Contents

Symbols	4
Help for the visually impaired	4
Field Safety Notice (FSN)	4
Introduction	5
Warranty	5
Declaration of conformity	6
Preparation/adjustment	7
Introduction to the Ergo2 seat	9
Extra equipment	15
Rear basket.....	16
Walking cane holder for back fitting	17
Lap belt	18
Inertia reel seat belt	20
Stealth headrest.....	22
Standard armrest	23
Alternative types of armrest	23
Adult armrest.....	24
Child/Junior armrest.....	25
Hemiplegia armrest.....	26
Amputated leg rest.....	27
Thigh rest	28
Stealth side rest	29
Electrical Seat front/back position.....	30
Electrical Back	31
Electrical Seat rotation	32
Electrical Seat hoist	33
Operating electrical functions.....	34
Seat weight	35
Seat post system	36
Complete seats	38
Complete seats with square shaft.....	38
Complete seats without headrest.....	38
Headrest Ergo2.....	38
Warning triangle.....	38

Symbols



Used in the user manual when a situation is described where there is a risk of personal injury, and therefore requires extra attention.



Used where the text is about electromagnetic compatibility (EMC).

Help for the visually impaired

If you have difficulty reading small letters in the user manual, we recommend that you visit our website, where you can read this manual in PDF format. The PDF manual can be enlarged on your PC monitor as required.

If you find it difficult to understand the manual and have general questions about the product, please feel free to contact us. You can find our contact info on page two in this user manual.

Field Safety Notice (FSN)

All information concerning safety can be found at www.medema.com, which is always updated with the latest safety information. In the event of important safety-related changes, we will issue an alert (FSN) directly to our customers.

Introduction

Thank you for purchasing the Ergo2 seat and/or Ergo2 accessories.

We have a wide range of accessories for the Ergo2 seat, which can be fitted to make your daily life easier. Contact us for more information about special accessories and adjustments.

The seat has been tested and approved by TÜV in accordance with EN 12184 for users weighing up to 175 kg, including biocompatibility testing of the armrests and cover. Flammability tested in accordance with EN 1021-1 and EN 1021-2. Static, impact and fatigue strength in accordance with ISO 7176-8.

Medema A/S is not liable for any damage or personal injury caused by the unsuitable or unsafe use of the Ergo2 seat.

For more information about the use of the Ergo2 seat or this user manual, contact:

Medema A/S

Tel.: +45 70 10 17 55

E-mail: info@medema.com

Internet: www.medema.dk

NB We cannot be held responsible for any printing errors. We reserve the right to update this user manual as required.

Warranty

Medema A/S provides a warranty in accordance with the Danish Sale of Goods Act.

CE Declaration of conformity

Medema A/S hereby declares that:

Product: Ergo2 seat

Application: (prescribed application in the user manual)

Type no.: Ergo2

Type: Class C

is CE-marked in accordance with Directive 93/42/EEC of 14 June 1993 concerning medical devices.

The product is made in accordance with EN 12184 Electrically powered wheelchairs, scooters and their chargers.

The product has been risk assessed in accordance with DS/EN ISO 14971 Medical devices. Application of risk management to medical devices.



The seat can, for a fee, be delivered to the nearest dealer, who will then see to its disposal at all times in accordance with applicable environmental regulations.

Manufacturer: Medema A/S

Address: Enggårdvej 7, 7400 Herning, Denmark

Tel./Fax +45 7010 2054 +45 9716 8582

Date: 1 March 2015 Signature: *Klaus Smedsgaard*

Technical data



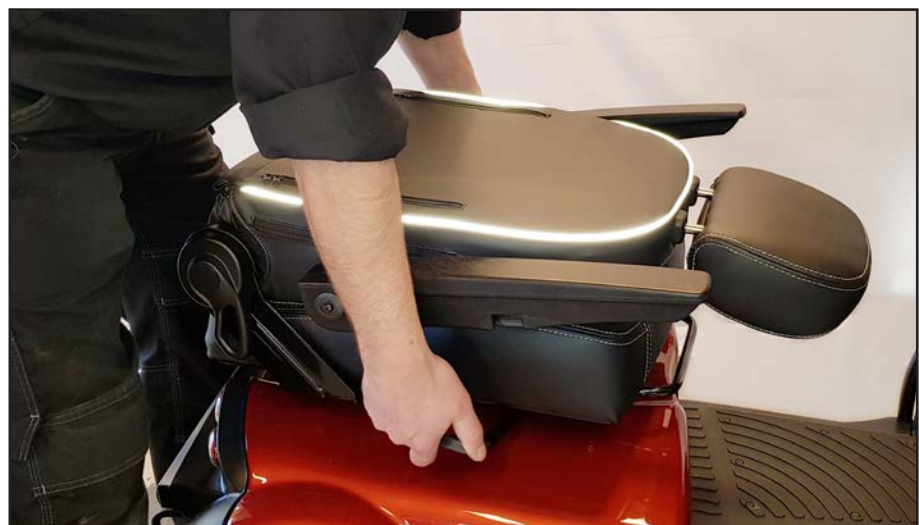
Tekniske data	
Effective seat width	
Ergo2 child	35 cm
Ergo2 standard	40 - 45 - 50 cm
Ergo2 HD	60 - 70 cm
Max user weight std.	175 kg
Max user weight HD	250 kg
Effective seat depth (A)	
Ergo2 child	20-43 cm
Ergo2 std. + HD	32 - 55 cm
Seat cushion angle	3°
Backrest height Ergo2 child	44 cm
Backrest height Ergo2	54 cm
Height: seat front edge to ground	59 - 69 cm
Height: footrest to seat front edge (C)	42 - 52 cm
Travel in the slide rail	20 cm
Backrest angle	-90° til 48°
Armrest adjustment in / out	+ 2,5 cm
Armrest height adjustment (B)	15 - 29 cm
Armrest angle adjustment	50° + folding
Armrest length	34,5 cm
Headrest height adjustment (D)	10 cm + Removable
Headrest angle adjustment	30°
Swivel Seat lockable in 45° increments	H = 90° V = 180°

Preparation/adjustment

Seat height adjustment

Loosen the lever for rotating the seat, and turn the seat slightly to the side. Remove the seat by lifting.

The seat is very heavy. When lifting the seat, ensure you have the proper lifting posture with your back. A standard seat (45 cm), weighs 27 kg (see below).



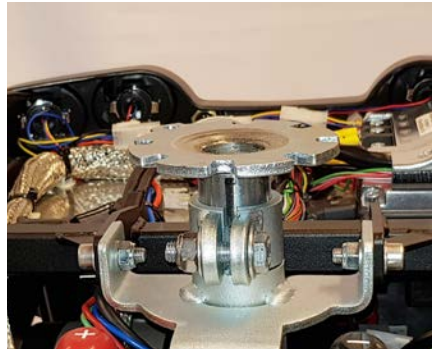
Height adjustment seat post standard



*Loosen the counter nut.
Use spanner, 17 mm.*



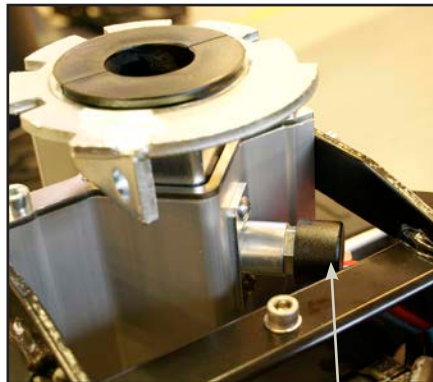
Adjust the seat post to the desired position. The seat post is marked with a ring at each centimetre.



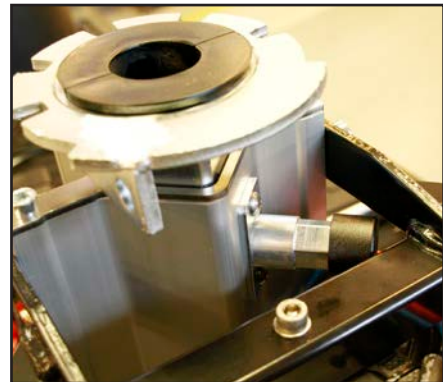
Be aware that the black line is holding its position after movement, so the seat is straight in front of the steering.

*Tighten the screw, here after the counter nut.
Mount the seat. Adjust the lining if necessary.*

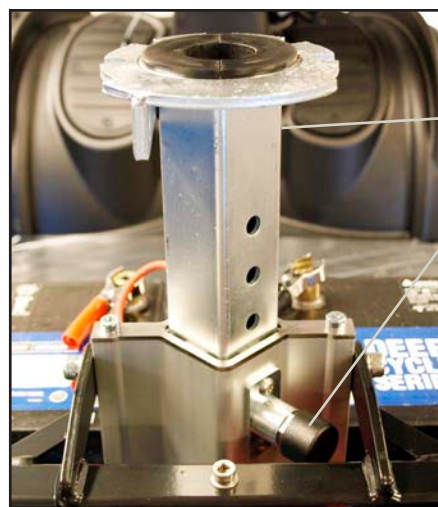
Seat post height regulation using position bolt (optional)



The release button pressed in. Press the button out to release the seat tube.



Release button pressed out. Now the seat tube can be moved up/down to the height you wish. Press the release button again and make sure it is fitted in one of the 5 holes in the seat tube.



Seat tube

Release

Seat tube in top position. There are five holes for adjusting the seat tube. The release must be in a hole for the seat to be stable.

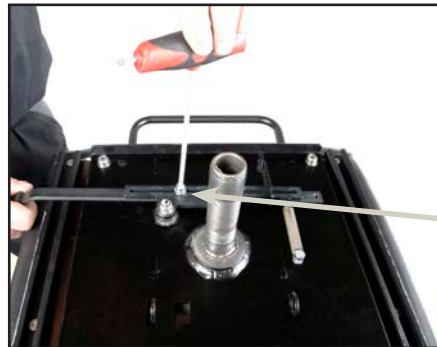
Introduction to the Ergo2 seat



Lever for rotating the seat

The lever must be pulled back to rotate the seat. The seat can then be rotated to each side, locking at each 45°.

The lever is spring-loaded, and the seat is locked automatically when the lever is released. This lever is located on the right side as standard, but can also be positioned on the left side. When the lever is located on the left side, it must be pushed forward in order to rotate the seat instead of pulling back.



Out/in adjustment of lever for rotating the seat

Lift the seat off the vehicle.

Loosen the two Allen screws. The lever can now be adjusted out/in to the desired position.



Left positioning of lever for rotating the seat

Remove the two Allen screws and pull the lever out.

Move the lever in from the left side and tighten the Allen screws.

When installing the lever on the left side, the lever must be moved forward to rotate the seat.



Mount the seat again

To ensure that the seat is fully in position, release the lever for rotating the seat, to get the seat all the way down:



Seat forward/back lever

Pull the lever up to release the seat on the slide rail.

The seat can now be moved forward or backward as re-

quired, with 200 mm of travel.
When the lever is released, the seat will automatically lock into place in the closest stop position.



Armrest height adjustment

Open the zipper on the backrest side and back.



Unscrew the Allen screw and the armrest can be pushed up or down as needed. It can be adjusted by 140 mm.



Width adjustment of armrest

Each armrest can be adjusted 25 mm out.

Loosen the Allen screw and adjust the armrest sideways.



Armrests angle adjustment

The armrest can be adjusted 60° by using the adjustment screw.

The armrest can be tilted up to facilitate entry and exit.



Backrest angle adjustment

The backrest can be adjusted 45° backward and 90° forward. To adjust, pull the lever on the right side of the seat.



The backrest angle adjustment handle is fitted pointing down as standard. This is because it can collide with the armrests if these are set to the lowest position.

If there is no need for this and it is preferable for the handle to be in a more horizontal position, remove the centre cover on the handle using a flat screwdriver.



Grip the square shaft and turn up 90° and fit then refit the handle and cover.



The handle for adjusting the backrest is shown here turned 90° up.



Backrest reclined at 45° angle.



Backrest inclined forward to 90° angle.

This means that the seat does not necessarily need to be removed during transport, e.g. in a car.



Backrest forward/back

Loosen the specified screws in both sides. 13 mm head.



The seat depth can now be adjusted by sliding the backrest forward or back.

Shown here with 320 mm seat depth



The backrest can be moved backward or forward to the edge of the rail. Tighten the screws after adjusting seat depth.

Shown here with 550 mm seat depth



Headrest height adjustment

Press the button in and lower/raise the headrest as required.



Headrest forward/backward adjustment

The headrest can be tilted forward and backward as needed.

Extra equipment

Contents

Rear basket	16
Walking cane holder for back fitting.....	17
Lap belt.....	18
Inertia reel seat belt.....	20
Stealth headrest.....	22
Standard armrest.....	23
Alternative types of armrest	23
Electrical Seat rotation.....	32
Electrical Seat hoist	33
Operating electrical functions.....	34
Seat weight.....	35
Seat post system.....	36
Complete seats.....	38
Complete seats with square shaft	38
Complete seats without headrest	38
Headrest Ergo2.....	38
Warning triangle.	38

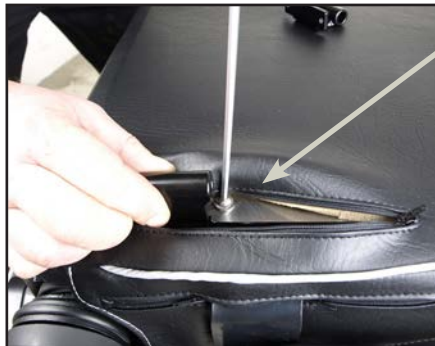
Rear basket



Fitting basket on the seat (extra equipment)

Complete mounting kit for basket.

Two brackets and four Allen screws. 4 mm head.



Unzip the zip fastener and position the bracket next to the two pre-drilled holes.



Fit the basket on the bracket and now it is ready for use.

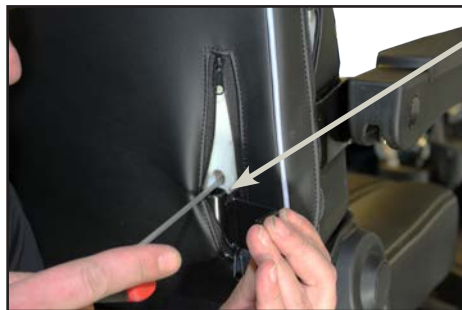
Remember to insert a locking split after fitting.

Part number	1506-1242
Max. load in basket	15 kg

Walking cane holder for back fitting



Walking cane holder, complete set.



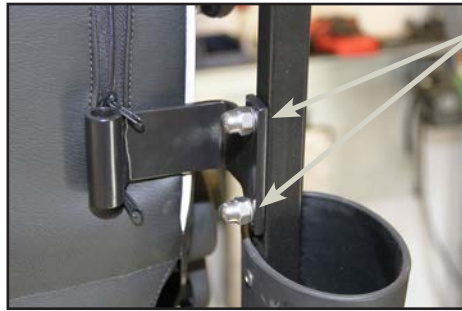
Zip the zip fastener and securely fit the bracket using two screws. 4 mm head.



Bracket fitted.



Secure the walking cane holder using two screws. 6 mm head.



Tighten nuts securely on the two screws.
13 mm head.



The walking cane holder is now fully fitted.

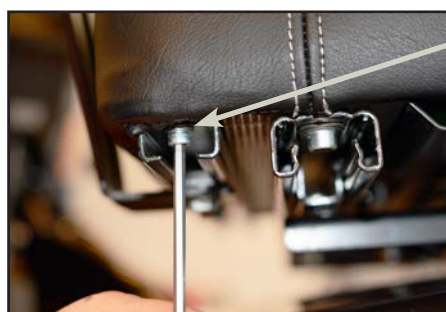
NB: May also be fitted on the left side of the seat, by using the mirror-image bracket.

Part number	1506-1818
Max. weight.	Two walking canes/crutches

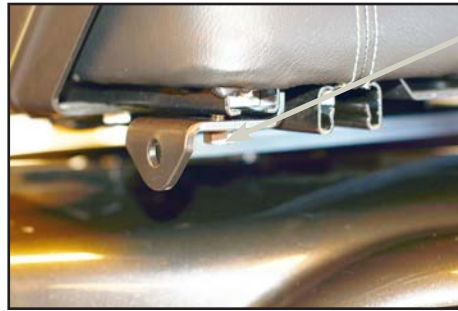
Lap belt



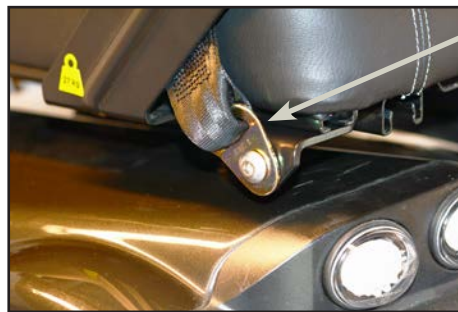
Complete lap belt set



Remove the stop screw in the rail.
4 mm head.



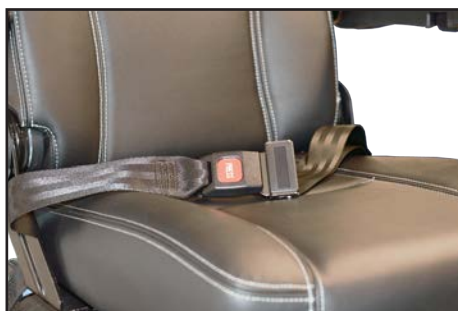
Slide in assembly fitting. Re-fit the stop screw. Push the bracket back against the stop screw and tighten securely. 13 mm head. Do this on both sides of the seat.



One end of the seat belt is attached to the bracket. Allen screw 6 mm head. Nut 17 mm head.



The other end of the seat belt is attached in the same way, on the opposite side of the seat.



The lap belt is a safety belt and functions in the same way as a seat belt in a car.

Part number	1506-1834
Max. weight.	250 kg user weight

Inertia reel seat belt



Remove the stop screw in the rail.
4 mm head.



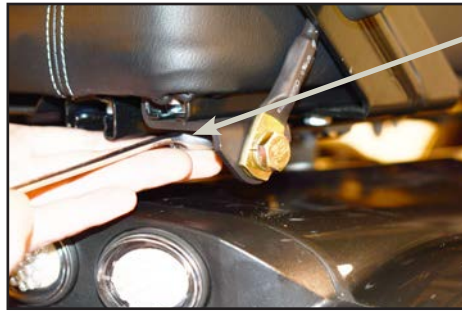
Slide in assembly fitting. Re-fit the stop screw. Push the bracket back against the stop screw and tighten securely.
13 mm head.



Screw the seat lock securely to the assembly fitting.



Place the inertia reel seat belt between the seat and the back bracket.



Re-tighten the stop screw.

The seat belt lock is now fully fitted.



Hole for fitting the inertia reel seat belt.



Securely screw the inertia reel seat belt in the hole on the back fitting.
13 mm head.

Intermediate washer.



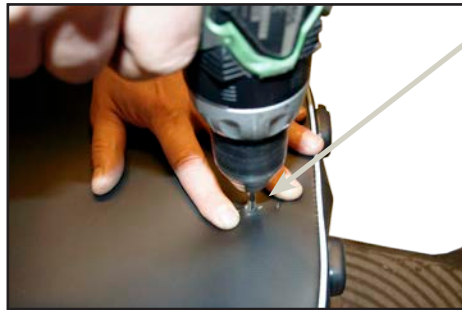
Fully-fitted inertia reel seat belt.

Part number	1507-1420
Max. weight.	250 kg user weight

Stealth headrest



Stealth headrest



There are two pre-drilled holes in the back for fitting the headrest (below the cover).



Using a pointed tool, feel where the holes are – they can be felt through the cover – and drill carefully through the cover.



The headrest bracket is secured screwed using the four holes.



The headrest is now fully fitted.

The articulated bar's angle can be adjusted and the headrest height can be adjusted.

Headrest Stealth Comfort, Adult	2013-1363
Headrest Stealth Comfort, Junior	2013-1103

Standard armrest



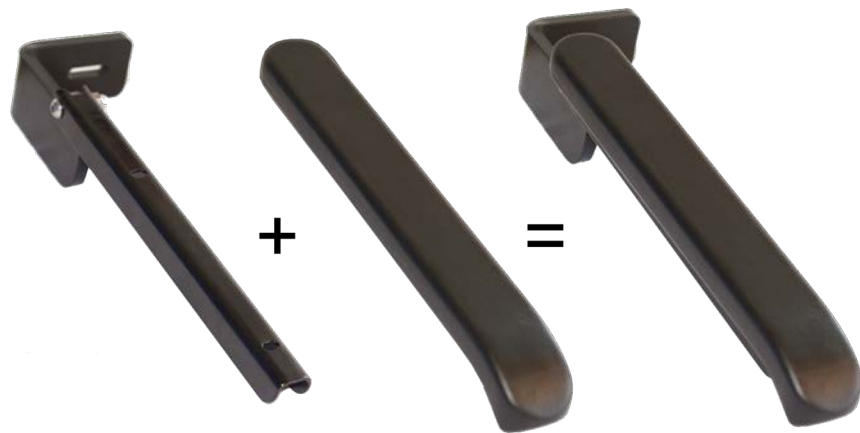
Left armrest	1507-1396
Right armrest	1507-1395

Alternative types of armrest

If a non-standard armrest is required, several options are available.

See options on next page.

Adult armrest



Armrest holder, adult, Ergo2, L.	1507-1423
Armrest holder, adult, Ergo2, R.	1507-1424
Armrest cushion, MC Ergo standard adult	1507-1132



Armrest holder, adult, Ergo2, L.	1507-1423
Armrest holder, adult, Ergo2, R.	1507-1424
Armrest cushion, leather cover - 70 x 300 mm R.	2406-1088
Armrest cushion, leather cover - 70 x 300 mm L.	2406-1092
Armrest cushion, leather cover - 100 x 350 mm R.	2406-1132
Armrest cushion, leather cover - 100 x 350 mm L.	2406-1133
Armrest cushion, leather cover - 70 x 400 mm R.	2406-1134
Armrest cushion, leather cover - 70 x 400 mm L.	2406-1135
Armrest cushion, leather cover - 70 x 350 mm R.	2406-1136
Armrest cushion, leather cover - 70 x 350 mm L.	2406-1137

Child/Junior armrest



Armrest holder, child, Ergo2, L.	1507-1425
Armrest holder, child, Ergo2, R.	1507-1426
Armrest cushion, MC Ergo standard child	1507-1134

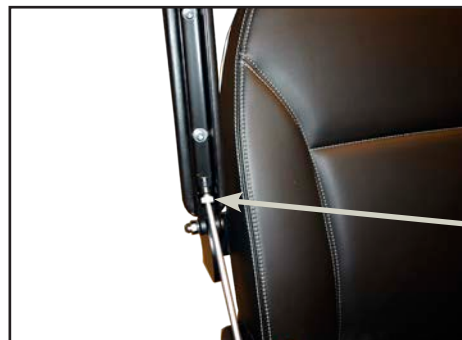


Armrest holder, child, Ergo2, L.	1507-1425
Armrest holder, child, Ergo2, R.	1507-1426
Armrest cushion, MC Ergo standard child	1507-1134
Armrest cushion, child, leather cover - 70 x 210 mm R.	2406-1130
Armrest cushion, child, leather cover - 70 x 210mm L.	2406-1131
Armrest cushion, child, leather cover - 70 x 260 mm R.	2406-1182
Armrest cushion, child, leather cover - 70 x 260 mm R.	2406-1183

Hemiplegia armrest



Armrest holder, adult, Ergo2, L.	1507-1427
Armrest holder, adult, Ergo2, R.	1507-1428



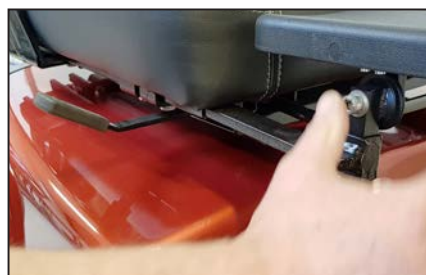
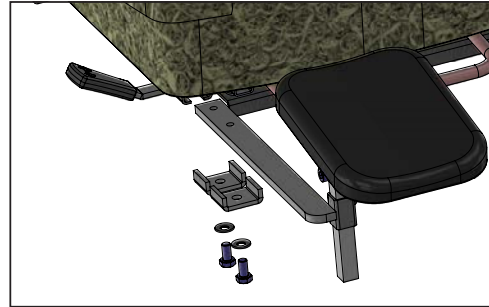
Loosen the two screws before removing the existing armrest.

Make angle adjustment using this screw.

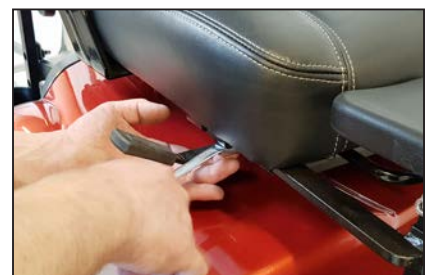
Amputated leg rest



Amputated leg rest



Move it as far in as you wish.



Tighten the screws so that the amputation support is securely fixed.



Adjustment of the angle of the amputation support: Loosen this screw – adjust the angle – retighten the screw.

Part number	1507-1421
Max. load	25 kg

Thigh rest



The mounting bracket is slid onto the rail under the seat on the side where the thigh support is to be fitted.



Secure the mounting bracket with two screws.



The thigh support is mounted in the upper holes (always).



Up/down adjustment is carried out by loosening the two screws in the slots.



The thigh support can be turned / rotated in the ball joint by loosening the four screws.

By pressing the red button, the thigh support can be tilted out.

Part number	2013-1104
Max. load	20 kg

Overview of Sizes and Item Numbers for Thigh Supports

Art.no	Description
1513-1133	Thigh support UniLink, swing-away, right, Ergo2 – 10 x 20 cm
1513-1134	Thigh support UniLink, swing-away, left, Ergo2 – 10 x 20 cm
1513-1145	Thigh support UniLink, swing-away, right, Ergo2 - 10x10 cm
1513-1146	Thigh support UniLink, swing-away, left, Ergo2 - 10x10 cm
1513-1147	Thigh support UniLink, swing-away, right, Ergo2 - 10x30 cm
1513-1148	Thigh support UniLink, swing-away, left, Ergo2 - 10x30 cm
Max. load	20 kg

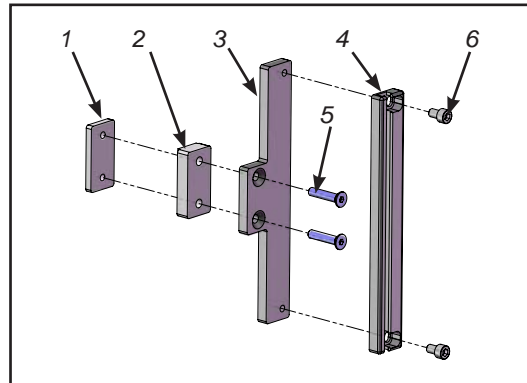
Art.no	Description
1513-1141	Thigh support UniLink, removable, right, Ergo2 – 10 x 20 cm
1513-1142	Thigh support UniLink, removable, left, Ergo2 – 10 x 20 cm
1513-1139	Thigh support UniLink, removable, right, Ergo2 - 10x10 cm
1513-1140	Thigh support UniLink, removable, left, Ergo2 - 10x10 cm
1513-1143	Thigh support UniLink, removable, right, Ergo2 - 10x30 cm
1513-1144	Thigh support UniLink, removable, left, Ergo2 - 10x30 cm
Max. load	20 kg

Stealth side rest



Zippers are fitted on both sides at the rear of the Ergo2. Unzip the side where the side support is to be mounted.

Assemble items 2 and 3 as shown, and place the square nut behind the backrest rail. Secure everything using item 5.

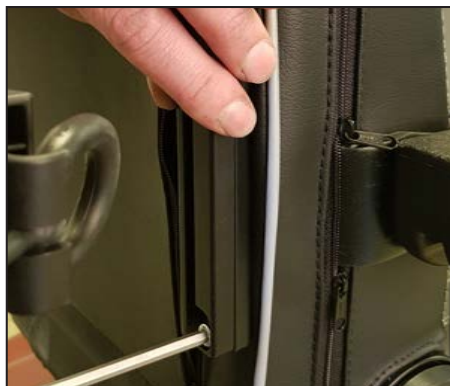


Bracket set for Ergo2.”
Pos. 1 – Square nut
Pos. 2 – Spacer
Pos. 3 – Bracket
Pos. 4 – Rail
Pos. 5 – M6 x 30 UH
Pos. 6 – M6 x 10 CH



Tighten the bracket securely. Accessories can now be mounted.

Mount the rail using item 6. The side support can now be fitted.



Part number	2013-1116 + 2013-1117 (R + L, respectively)
Max. load	20 kg



Mount the side support.

Adjust the side support in/out by loosening these screws.

Tighten the screws after adjustment.



Adjust the side support in/out and up/down by loosening these screws.

Tighten the screws after adjustment.

Adjust the side support pad forward/backward by loosening these screws.



Swing the side support out to the side by pressing the red button.

Tools: 4 mm and 2.5 mm Allen keys

The side support can be adjusted in all joints. Note that there is both an adjustment screw and a locking screw. Both must be loosened and retightened when making adjustments.

Locking screw
Adjusting screw



Overview of Sizes and Item Numbers for Side Supports

Art. No.	Description
1513-1131	Side support UniLink Ergo2 back, right – 10 x 15 cm
1513-1132	Side support UniLink Ergo2 back, left – 10 x 15 cm
1513-1135	Side support UniLink Ergo2 back, right - 7x12 cm
1513-1136	Side support UniLink Ergo2 back, left - 7x12 cm
1513-1137	Side support UniLink Ergo2 back, right - 13x18 cm
1513-1138	Side support UniLink Ergo2 back, left - 13x18 cm
Max load	20 kg

Electrical functions for Ergo2

Various electrical functions can be connected to the Ergo2 seat. The following pages describe these options. However, not all electrical functions can be combined or used with all seat sizes.

Combination options

40, 45 og 50 cm seat:	All el-functions
60 og 70 cm HD seat:	Seat lift
35 cm child seat.	EI seat lift and EI seat rotation

Electrical Seat front/back position

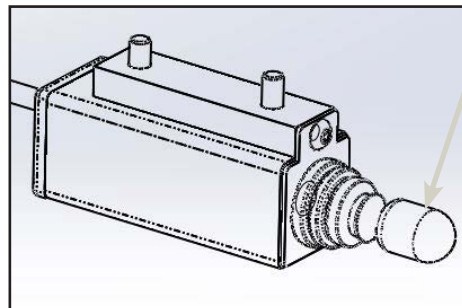


Seat in outer front position.



Seat in outer back position.

(Can be adjusted 15 cm)



Electrical switch to move seat backward/forward.

NB:
See section "Operating electrical functions".

Part number	1507-1418
User weight	175 kg

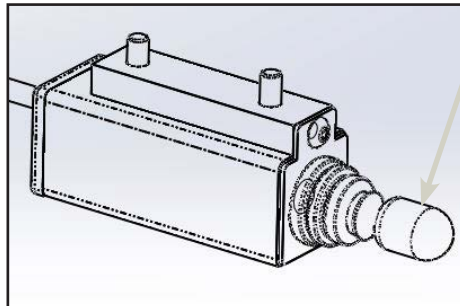
Electrical Back



Backrest fully reclined.



Backrest fully inclined forward.
Can be adjusted up to 45°.



Electrical switch to incline/recline backrest.

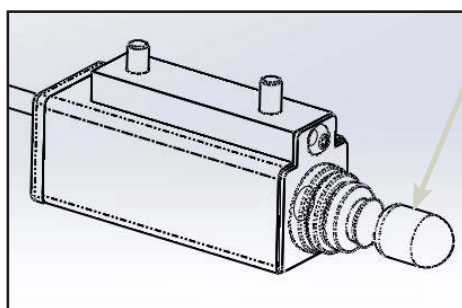
NB:
See section "Operating electrical functions".

Technical data	Ergo 2 w/EI-backrest
Art. No.	1507-1417
Effective seat width	40 - 45 - 50 cm
Max user weight	175 kg
Effective seat depth	42 - 55 cm
Seat cushion angle	3°
Backrest height	52 cm
Height: seat front edge to ground	60 - 70 cm
Height: foot plate to seat front edge	43 - 53 cm
Backrest angle	90° - 50°

Electrical Seat rotation



The seat can rotate 90 degrees, to one side or the other.



Electrical switch to rotate seat.

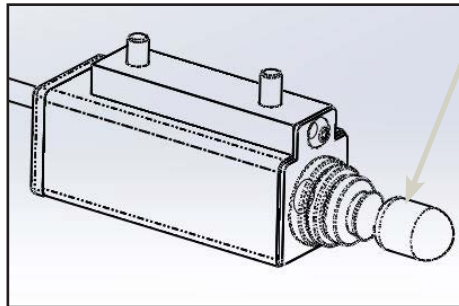
NB:
See section "Operating electrical functions".

Technical data	Ergo 2 w/seat rotation
Art. No.	1507-1419
Effective seat width	35 - 40 - 45 - 50 cm
Max user weight	175 kg
Effective seat depth	32 - 55 cm
Seat cushion angle	3°
Backrest height	52 cm
Height: seat front edge to ground	62,5 - 72,5 cm
Height: foot plate to seat front edge	45,5 - 55,5 cm
Backrest angle	-90° til 48°
Turning angle	90° either to the right or left. Alternatively ±45°.

Electrical Seat hoist



The seat can be raised by 15 cm.
However, the scooter goes down at half speed at heights above 8 cm.



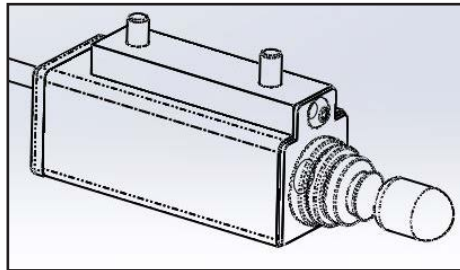
Electrical switch to raise seat.

NB:
See section "Operating electrical functions".

Technical data	Ergo 2 w/seat lift
Art. No.	1507-1341 (New vehicle)
Art. No.	1507-1346 (Retrofit)
Effective seat width	35 - 40 - 45 - 50 60 - 70 cm
User weight std. User weight HD	175 kg 250 kg
Effective seat depth:	32 - 55 cm
Seat cushion angle	3°
Backrest height	52 cm
Height: seat front edge to ground	60 - 75 cm
Height: foot plate to seat front edge	43 - 58 cm
Backrest angle	-90° til 48°
Travel range Note: Runs at half speed after 8 cm.	15 cm

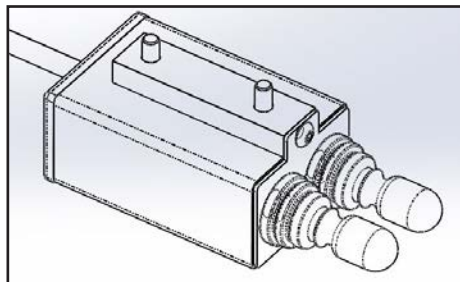
Operating electrical functions

All of the electrical functions are fitted as standard equipment with a control unit for single function. If two electrical functions are chosen, a unit is fitted under each armrest. If three or four electrical functions are desired, one or two double control units must be purchased. If the user wants to operate two electrical functions from the same armrest, a double control unit must also be purchased.



Unit for a single electrical function.

1507-1343



Unit for two electrical functions.

1507-1342

NB:

If electrical functions are chosen for an M-Joy, the electrical functions are controlled as standard using the joystick, so there is no need for control units, housing for the PCB or PCB, since the entire system is controlled via the joystick.

Seat weight



Seat model	Weight
Ergo2 seat 35 cm	20 kg
Ergo2 seat 40 cm	26 kg
Ergo2 seat 45 cm	27 kg
Ergo2 seat 50 cm	29 kg
Ergo2 seat 60 cm	36 kg
Ergo2 seat 70 cm	38 kg

Seat post system

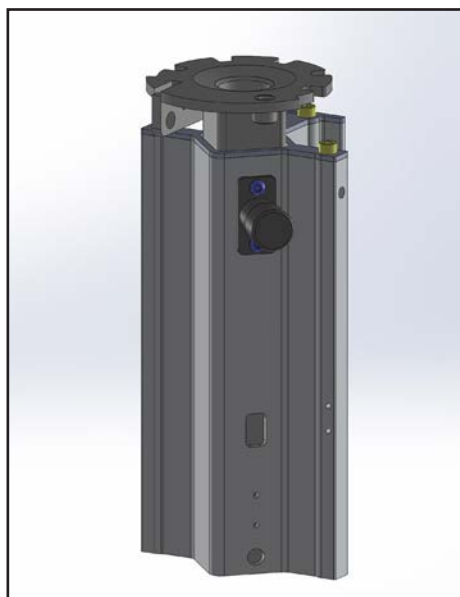
As standard, the Ergo2 seat system is equipped with a height-adjustable seat post, which requires a tool to adjust. When it is tightened, it is completely fixed.



Seat post - fixed.

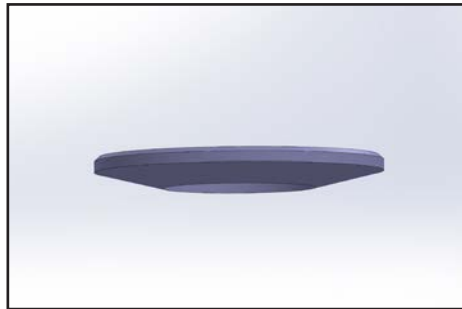
1502-1219

Alternatively, the seat post can be supplied with a positioning bolt solution.



Seat post with positioning bolt.

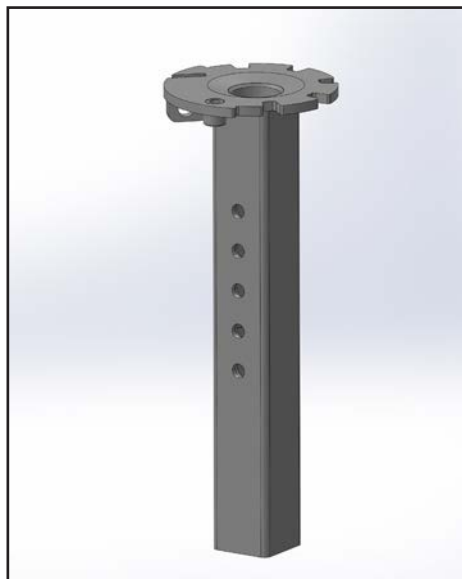
1507-1340



Plastic washer.

1507-1109

(converting from Ergo2 to Ergo1/Eblo)



Loose seat post square.

1502-1111



Loose seat post for T model.

1502-1112

Complete seats

SEAT MC ERGO2 40 CM, COMPLETE	1507-1397
SEAT MC ERGO2 45 CM, COMPLETE	1507-1405
SEAT MC ERGO2 50 CM, COMPLETE	1507-1413

Complete seats with square shaft

SEAT MC ERGO2 40 CM, COMPLETE WITH SQUARE SHAFT	1507-1399
SEAT MC ERGO2 45 CM, COMPLETE WITH SQUARE SHAFT	1507-1406
SEAT MC ERGO2 50 CM, COMPLETE WITH SQUARE SHAFT	1507-1414

Complete seats without headrest

SEAT MC ERGO2 40 CM, COMPLETE (WITHOUT HEADREST)	1507-1404
SEAT MC ERGO2 45 CM, COMPLETE (WITHOUT HEADREST)	1507-1412
SEAT MC ERGO2 50 CM, COMPLETE (WITHOUT HEADREST)	1507-1439

Headrest Ergo2

HEADREST, ERGO2	1507-1105
-----------------	-----------

Warning triangle.

Warning triangle	1506-1885
------------------	-----------



medemagruppen